



Treadmill

O P E R A T I O N M A N U A L

Life Fitness

CORPORATE HEADQUARTERS

10601 West Belmont Avenue
Franklin Park, Illinois 60131 • U.S.A.
847.288.3300 • FAX: 847.288.3703
800.735.3867 (Toll-free within U.S.A., Canada)

INTERNATIONAL OFFICES

LIFE FITNESS ASIA PACIFIC LTD

Room 2610, Miramar Tower
132 Nathan Road
Tsimshatsui, Kowloon
HONG KONG
Telephone: (+852) 2891.6677
FAX: (+852) 2575.6001

LIFE FITNESS ATLANTIC BV LIFE FITNESS BENELUX

Bijdorpplein 25-31
2992 LB Barendrecht
THE NETHERLANDS
Telephone: (+31) 180.646.666
FAX: (+31) 180.646.699

LIFE FITNESS DO BRAZIL

Av. Dr. Dib Sauaia Neto 1478
Alphaville, Barueri, SP
06465-140
BRAZIL
Telephone (+55) 11.4193.8282
FAX: (+55) 11.4193.8283

LIFE FITNESS AUSTRIA

Vertriebs GmbH
Hintschiggasse 1
1100 Vienna
AUSTRIA
Telephone: (+43) 1.61 57 198
FAX: (+43) 1.61 57 198.20

LIFE FITNESS IBERIA

Pol. Ind. Molí dels Frares. c/C, nº 12
08620 Sant Vicenç dels Horts (Barcelona)
España
Telephone: (+34) 93.672.4660
FAX: (+34) 93.672.4670

LIFE FITNESS EUROPE GMBH

Siemensstrasse 3
85716 Unterschleissheim
GERMANY
Telephone: (+49) 89.31 77 51.0
FAX: (+49) 89.31 77 51.99

LIFE FITNESS ITALIA S.R.L.

Via Elvas 92
39042 Bressanone (BZ)
ITALY
Telephone: (+39) 0472.835 470
FAX: (+39) 0472.833 150

LIFE FITNESS LATIN AMERICA and CARIBBEAN

10601 West Belmont Avenue
Franklin Park, Illinois 60131
U.S.A.
Telephone: (+1) 847.288.3300
FAX:(+1) 847.288.3762

LIFE FITNESS UK LTD

Queen Adelaide
Ely, Cambs CB7 4UB
UNITED KINGDOM
Telephone: (+44) 1.353.666 017
FAX: (+44) 1.353.666 018

LIFE FITNESS JAPAN

Nippon Brunswick Bldg., #8F
5-27-7 Sendagaya
Shibuya-Ku, Tokyo
Japan 151-0051
Telephone: (+81) 3.3359.4309
FAX: (+81) 3.3359.4307

Before using this product, it is essential to read this ENTIRE operation manual and ALL installation instructions.

It describes equipment setup and instructs members on how to use it correctly and safely.

FCC Warning - Possible Radio / Television Interference

NOTE: *This equipment has been tested and found to comply with the limits for a Class A digital device, pursuant to part 15 of the FCC rules. These limits are designed to provide reasonable protection against harmful interference when the equipment is operated in a commercial environment. This equipment generates, uses and can radiate radio frequency energy, and if not installed and used in accordance with the instruction manual, may cause harmful interference to radio communications. Operation of this equipment in a residential area is likely to cause harmful interference in which case the user will be required to correct the interference at his own expense.*

Class SB (Studio): Professional and / or commercial use.



CAUTION: Any changes or modifications to this equipment could void the product warranty.

Any service, other than cleaning or user maintenance, must be performed by an authorized service representative. There are no user serviceable parts.

TABLE OF CONTENTS

Section	Description	Page
1.	Getting Started6
1.1	Important Safety Instructions6
1.2	Setup10
	Electrical Power Requirements	
	Grounding Instructions	
	Wax bag Instructions	
	How to Position and Stabilize the Treadmill	
	Power Switch	
	Setting the Clock	
	Centering the Belt	
	Fitness Networking	
	Power Cord Routing	
2.	The Display Console16
2.1	Display Console Overview16
2.2	Display Console Descriptions17
2.3	Reading Rack19
2.4	Accessory Trays19
3.	Heart Rate Zone Training® Exercise20
3.1	Why Heart Rate Zone Training® Exercise20
3.2	Heart Rate Monitoring21
	The Optional Heart Rate Chest Strap	
4.	The Workouts22
4.1	Workout Overviews22
4.2	Using the Workouts23
4.3	Workout Descriptions23
	Quick Start	
	Fat Burn	
	Cardio	
	Hill	
	Random	
	Manual	
	Fit Test	
4.4	Maximizing Workouts on a Life Fitness Treadmill28
	Selecting an Intensity Level	
	Using InstaPace™ Feedback	
	Using ZerOut™ Speed Control	
	Cool-Down	
4.5	Logging On to the Network29
5.	The Manager's Configuration30
5.1	Entering and Using the Manager's Configuration30
5.2	Configuration Settings31
	Using the MaxTime™ Setup	
	Using the Standby Setup	

6.	Service and Technical Data	.33
6.1	Preventive Maintenance Tips	.33
6.2	Preventive Maintenance Schedule	.34
6.3	Troubleshooting the Optional Heart Rate Chest Strap	.35
	Heart Rate Is Erratic Or Absent Entirely	
	Heart Rate Reading Is Erratic Or Extremely High (Above 200)	
6.4	Removing the Accessory Trays	.35
6.5	How to Adjust and Tension the Striding Belt	.36
	The Belt Tensioning Bolts	
	Tracking (Centering) the Striding Belt	
	Tensioning an Existing Striding Belt	
6.6	Cleaning the Wax Nozzle	.38
6.7	How to Obtain Product Service	.39
7.	Specifications	.40
7.1	Life Fitness 9100 Treadmill Specifications	.40

© 2001 Life Fitness, a division of Brunswick Corporation. All rights reserved. Life Fitness, Lifecycle, FlexDeck, and Heart Rate Zone Training are registered trademarks, and InstaPace, ZerOut, MaxTime, Intelli, MagnaDrive, Lifespring and "Rely on It" are trademarks of Brunswick Corporation. Polar is a registered trademark of Polar Electro, Inc. Cardio Theater is a registered trademark of Cardio Theater Holdings and a wholly owned subsidiary of ClubCom corporation. Broadcast Vision is a trademark of Broadcast Vision, Inc. Fitlinxx is a registered trademark of the Integrated Fitness Corp. Any use of these trademarks, without the express written consent of Life Fitness or the corresponding companies is forbidden.

This Operation Manual describes the functions of the following products:

Life Fitness Treadmills:

9100

See "Specifications" in this manual for product specific features.

Life Fitness **STRONGLY** recommends seeing a physician for a complete medical exam before undertaking an exercise program, particularly if the user has a family history of high blood pressure or heart disease, or is over the age of 45, or smokes, has high cholesterol, is obese, or has not exercised regularly in the past year.

If, at any time while exercising, the user experiences faintness, dizziness, pain, or shortness of breath, he or she must stop immediately.

1 GETTING STARTED

1.1 IMPORTANT SAFETY INSTRUCTIONS

Read all instructions before using the treadmill.

- **DANGER:** To reduce the risk of electrical shock, always unplug this Life Fitness product before cleaning or attempting any maintenance activity.
- **WARNING:** To reduce the risk of burns, fire, electric shock, or injury, it is imperative to connect each product to a properly grounded electrical outlet.
- To disconnect, turn power OFF at the ON/OFF switch, then remove plug from electrical outlet.
- Never operate a Life Fitness product if it has a damaged power cord or electrical plug, or if it has been dropped, damaged, or even partially immersed in water. Contact Life Fitness Customer Support Services.
- Position this product so that the power cord plug is accessible to the user.
- Keep the power cord away from heated surfaces. Do not pull the equipment by the power cord or use the cord as a handle. Do not run the power cord on the floor under or along the side of the treadmill.
- If the electrical supply cord is damaged, it must be replaced by the manufacturer, an authorized service agent, or a similarly qualified person to avoid a hazard.
- Do not use this product in areas where aerosol spray products are being used or where oxygen is being administered. Such substances create the danger of combustion and explosion.
- Always follow the console instructions for proper operation.
- Close supervision is necessary when used near children, invalids or disabled persons.
- Do not use this product outdoors, near swimming pools or in areas of high humidity.
- Never operate a Life Fitness product with the air openings blocked. Keep air openings free of lint, hair, or any obstructing material.
- Never insert objects into any opening in this product. If an object should drop inside, turn off the power, unplug the power cord from the outlet, and carefully retrieve it. If the item cannot be reached, contact Life Fitness Customer Support Services.
- Never place liquids of any type directly on the unit, except in an accessory tray or holder. Containers with lids are recommended.
- Wear shoes with rubber or high-traction soles. Do not use shoes with heels, leather soles, cleats or spikes. Make sure no stones are embedded in the soles.
- Keep all loose clothing, shoelaces, and towels away from moving parts.
- Do not use this product in bare feet.

- Do not reach into, or underneath, the unit or tip it on its side during operation.
- Keep the area six feet (two meters) by three feet (one meter) behind the treadmill clear of any obstructions, including walls, furniture, and other equipment.
- Handrails may be held to enhance stability as needed, but are not for continuous use.
- Never mount or dismount the treadmill while the running belt is moving. Use the handrails whenever additional stability is required. In case of an emergency, such as tripping, grasp the handrails, and place the feet on the side platforms.
- Never walk or jog backwards on the treadmill.
- When it is necessary to immobilize the treadmill, set the display to read SELECT WORK-OUT. (Press the STOP key twice if not already there.) Then hold down the SPEED DOWN key and press the PAUSE key. The treadmill now displays IMMOBILIZED. In this state, the treadmill cannot be operated. The main motor, inline and waxer are all disabled. The treadmill will remain in this state across resets, power cycles, etc. To restore normal operation, repeat the same key sequence: hold down the SPEED DOWN key, and press the PAUSE key. The treadmill will display SELECT WORKOUT again.
- Use this appliance only for its intended use as described in this manual. Do not use attachments that have not been recommended by the manufacturer.

SAVE THESE INSTRUCTIONS FOR FUTURE REFERENCE.

1 POINT DE DÉPART

1.1 CONSIGNES DE SÉCURITÉ IMPORTANTES

Pour réduire les risques de décharges électriques, l'appareil Life Fitness doit toujours être débranché avant tout nettoyage ou travail d'entretien.

Pour réduire les risques de brûlures, d'incendies, de décharges électriques ou de blessures, tout appareil doit être branché impérativement sur une prise électrique correctement mise à la terre.

- Pour d brancher l'appareil, coupez l'alimentation au niveau de l'interrupteur de marche/arrêt, puis retirez la fiche de la prise électrique.
- Ne faites jamais fonctionner d'appareil Life Fitness dont le cordon d'alimentation ou la fiche seraient abîmés, qui aurait fait une chute ou qui aurait été endommagé ou partiellement plongé dans l'eau. Contactez le service après-vente de Life Fitness.
- Placez ce produit de manière à ce que l'utilisateur puisse accéder à la fiche du cordon d'alimentation.
- Maintenez le cordon d'alimentation à l'écart des surfaces chaudes. Ne tirez pas l'appareil par son cordon et n'utilisez pas celui-ci pas comme poignée. Ne placez pas le cordon sur le sol sous le tapis roulant ni le long de l'appareil.
- Si le cordon d'alimentation électrique est endommagé, il doit être remplacé par le fabricant, par un réparateur agréé ou par une personne qualifiée afin d'éviter tout danger.
- N'utilisez pas ce produit dans des zones où vous utilisez des aérosols ou administrez de l'oxygène. De telles substances pourraient entraîner des risques d'incendie et d'explosion.
- Pour un fonctionnement correct, suivez toujours les instructions de la console.
- Une surveillance étroite est nécessaire en cas d'utilisation par des enfants, des personnes invalides ou handicapées.
- N'utilisez pas ce produit à l'extérieur, près d'une piscine ou dans endroits très humides.

- Ne faites jamais fonctionner de produit Life Fitness dont les bouches d'aération seraient bloquées. Maintenez-les exemptes de peluches, de cheveux ou de toute obstruction.
- N'insérez jamais d'objet dans les ouvertures de cet appareil. Si un objet tombe dedans, coupez l'alimentation électrique, débranchez le cordon de la prise et récupérez-le avec précaution. Si vous ne pouvez pas l'atteindre, consultez le service après-vente de Life Fitness.
- Ne placez jamais de liquides d'aucune sorte directement sur l'appareil, sauf si vous disposez d'un support ou d'un plateau pour accessoires. Il est recommandé d'utiliser des conteneurs munis d'un couvercle.
- Portez des chaussures avec semelles en caoutchouc ou antidérapantes. N'utilisez pas de chaussures à talons, de semelles en cuir ou à crampons. Assurez-vous qu'aucun caillou ne s'est incrusté dans les semelles.
- Maintenez les vêtements lâches, les lacets et les serviettes à l'écart des pièces en mouvement.
- N'utilisez pas cet appareil sans chaussures.
- Ne placez pas les mains sous ou dans l'appareil, et ne le renversez pas sur le côté pendant le fonctionnement.
- Derrière le tapis roulant, conservez une zone de 1,80 m sur 1 m libre de toute obstruction (aucun mur, meuble ou autre appareil).
- Les barres latérales peuvent servir à améliorer la stabilité, le cas échéant, mais elles ne sont pas conçues pour être utilisées de façon continue.
- Ne montez jamais sur le tapis roulant et n'en descendez jamais tandis qu'il tourne. Le cas échéant, utilisez les barres latérales pour augmenter votre stabilité.
- Ne marchez et ne courez jamais à l'envers sur ce tapis roulant.
- Lorsque vous devez immobiliser le tapis roulant, réglez l'afficheur sur SELECT WORKOUT (Sélectionner exercice). (Appuyez deux fois sur la touche STOP si vous n'en êtes pas déjà à ce point.) Maintenez ensuite la touche SPEED DOWN (Ralentir) enfoncée et appuyez sur la touche PAUSE. Le tapis roulant affiche alors le message IMMOBILIZED (Immobilisé), état dans lequel il ne peut plus fonctionner. Le moteur principal, le moteur en ligne et le cireur sont désactivés. Le tapis roulant reste dans cet état pendant les remises à zéro, les arrêts et remises en route, etc. Pour repasser en mode de fonctionnement normal, utilisez la même combinaison de touches : maintenez SPEED DOWN (Ralentir) enfoncée et appuyez sur PAUSE. L'appareil affichera SELECT WORKOUT (Sélectionner exercice) à nouveau.

CONSERVEZ CES INSTRUCTIONS POUR USAGE ULTÉRIEUR.

1.2 SETUP

Read the Operation Manual before setting up the Life Fitness treadmill. Place the treadmill where it will be used before beginning the setup procedure.

ELECTRICAL POWER REQUIREMENTS

The Life Fitness Treadmill is intended for use on a normal 120-Volt electrical circuit in the United States and Canada. The following table provides the current rating for this product based on supply voltage. Make sure that this treadmill model supports the proper line voltage for the installation location before plugging it into the outlet.

Supply Voltage (VAC)	Frequency (Hz)	Current (Amps)
100	50 / 60	20
120	50 / 60	20
200	50 / 60	9
220	50 / 60	9
230	50 / 60	9
240+	50 / 60	9

GROUNDING INSTRUCTIONS

This Life Fitness product must be properly grounded. If the unit malfunctions or breaks down, proper grounding provides a path of least resistance for the electric current, which reduces the risk of shock to anyone touching or using the equipment. Each unit is equipped with an electrical cord, which includes an equipment grounding conductor and a grounding plug. The plug must be inserted into an outlet that has been properly installed and grounded in accordance with all local codes and ordinances.

A temporary adapter MUST NOT BE USED to connect this plug to a 2-pole receptacle in North America. If a properly grounded, 20 AMP outlet is not available, one must be installed by a qualified electrician. Models drawing 20-amps must be installed on a dedicated line.

IL EST ABSOLUMENT INTERDIT d'employer un adaptateur temporaire pour brancher cette fiche sur une prise à deux pôles en Amérique du Nord. Si aucune prise de 20 A correctement mise à la terre n'est disponible, il convient d'en faire installer une par un électricien qualifié. Les modèles utilisant 16 A ou plus doivent être installés sur des lignes qui leur sont réservées.

A risk of electrical shock may result from improper connection of the equipment-grounding conductor. Check with a qualified electrician if in doubt as to proper grounding technique. DO NOT modify the plug provided with the product. If it will not fit an electrical outlet, have a proper outlet installed by a qualified electrician.

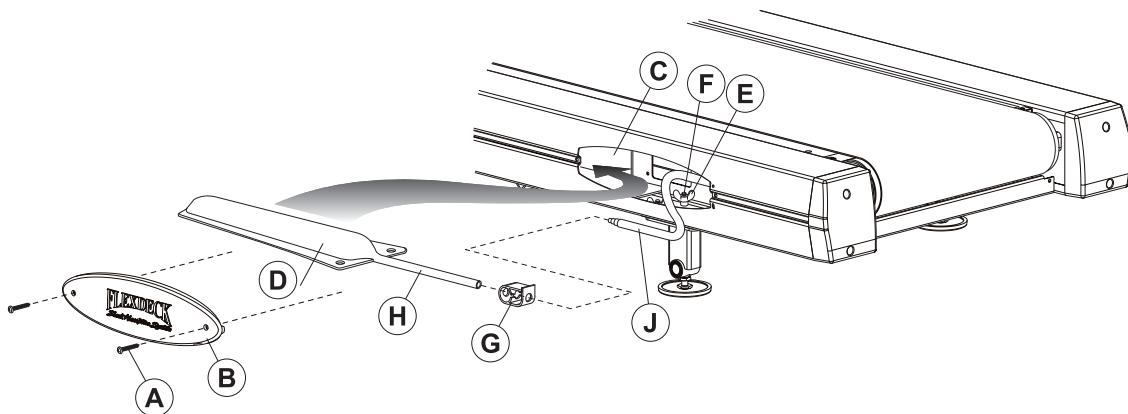
Un branchement incorrect du conducteur de mise à la terre peut entraîner des risques de décharge électrique. Consultez un électricien si des doutes subsistent quant à la technique de mise à la terre. NE MODIFIEZ PAS la fiche fournie avec l'appareil. Si elle ne s'adapte pas à une prise, faites en installer une correcte par un électricien qualifié.

WAX BAG INSTRUCTIONS

To install the wax bag, turn the power off at the ON/OFF switch, and unplug the unit from the electrical outlet.

Remove the access panel. Remove the two screws (A) securing the wax bag access panel (B), located on the user left side of the unit. Remove the panel and set it aside.

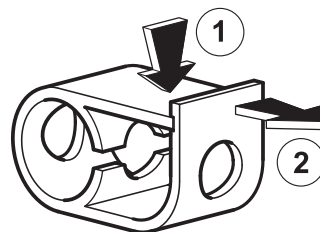
Install the wax bag. Verify that the wax bag protective liner (C) is open and ready to receive the wax bag (D). Remove the new wax bag from its packaging and carefully insert it into the access hole. The wax bag hose faces the rear of the unit. Remove the two wingnuts (E) located just inside the access hole. Align the mounting holes located in the wax bag flange with the two wingnut studs (F). Secure the wax bag with the two wingnuts.



CAUTION: Be careful to not rip or damage the wax bag on the wingnuts or wingnut studs when inserting the new wax bag.

Attach the hose clamp. Slide the hose clamp (G) over the end of the wax bag outlet hose (H). Position the clamp approximately three inches from the end of the hose and engage it, clamping it (1) onto the wax bag hose to prevent spillage.

Connect the wax bag hose to the pump inlet hose. Cut the end of the wax bag hose one half-inch from the end. Slide it onto the barbed nozzle on the wax pump inlet hose (J). Be sure to fully seat the wax bag hose onto the inlet hose. Release the hose clamp (2).

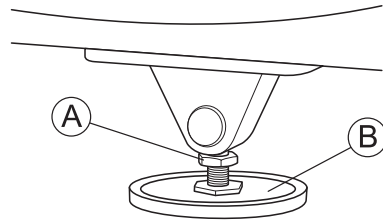


CAUTION: Failure to release the hose clamp will result in greatly reduced belt life.

Replace the access panel. Replace the wax bag access panel and secure it with the two screws.

HOW TO POSITION AND STABILIZE THE LIFE FITNESS TREADMILL

Following all safety instructions in Section 1.1, move the treadmill to the location in which it will be used. See Section 7, titled *Specifications*, for the dimensions of the footprint. Allow a distance of eight inches, or 21 centimeters, between the treadmill and other units on either side. Allow a distance of six feet, or two meters, from the rear of the treadmill to any object or surface.



After placing the unit where it will be used, check its stability. If there is even a slight rocking motion or the unit is not stable, determine which stabilizing leg is not resting on the floor. To adjust, loosen the JAM NUT (A), and turn the STABILIZING LEG (B) until the rocking motion ceases, and both stabilizing legs rest firmly on the floor. Retighten the JAM NUT.

NOTE: *It is extremely important that the stabilizing leg be correctly adjusted for proper operation. An unbalanced unit may cause striding belt misalignment.*

POWER SWITCH

Located on the front panel at the base of the treadmill, the ON/OFF switch has two positions: "1" (one) for ON and "0" (zero) for OFF.

SETTING THE CLOCK

The unit contains a clock, which is used for system maintenance and event tracking.

After the unit has been turned on[†], the display will prompt for the following:

"Would you like to change the clock from GMT to local time - if YES press Enter - if NO press Clear"

It is not mandatory to change the clock setting. To accept the current settings, press the CLEAR key.

To change the setting, press the ENTER key. The MESSAGE CENTER displays: "CHOOSE DISPLAY MODE - 12 HOUR MODE AM PM". Use an ARROW key to toggle the setting to CHOOSE DISPLAY MODE - 24 HOUR MODE. To accept the mode, press the ENTER key.

The current time (in **Greenwich Mean Time**) will be displayed.

- Use the TIME arrows to change the hours
- Use the INCLINE arrows to change the minutes
- Use the SPEED arrows to change the seconds

When finished press the ENTER key. The MESSAGE CENTER displays "UPDATING CLOCK". At this point, the clock has been reset, and the normal startup procedure continues.

[†]*This prompt appears for the first five times that the unit is turned on, including power-ups at the factory.*

CENTERING THE BELT

After installing and levelling the treadmill, check the belt to ensure that it is tracking properly. First, plug the power cord into an appropriate outlet. See *Electrical Requirements* at the beginning of this section for details. Then, turn the treadmill ON.

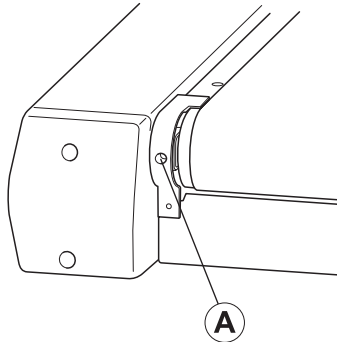
Have one person stand on the platforms on either side of the treadmill belt. Do not stand on the belt at this time. Press the QUICK START key, and increase the speed to 4.0 miles per hour (MPH), or 6.4 kilometers per hour (KPH), using the SPEED UP arrow.

If the striding belt moves to the right while it is running, have a second person turn the right tension bolt a quarter-turn clockwise, and then turn the left tension bolt (A) a quarter-turn counter-clockwise. See the illustration below. This action sets the striding belt tracking back to center of the roller.

If the striding belt moves to the left, turn the left tension bolt a quarter-turn clockwise and then turn the right tension bolt a quarter-turn counter-clockwise to start the striding belt tracking back to center of roller.

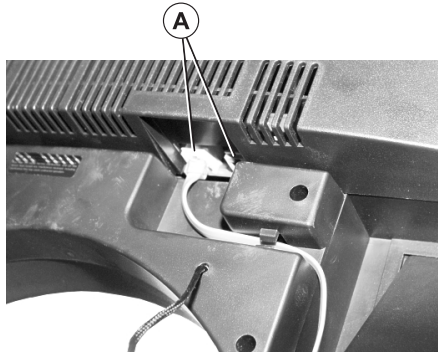
Repeat these adjustments until striding belt appears centered. Allow the belt to continue running for several minutes to be sure that the tracking is stabilized.

NOTE: Do not exceed one full turn of the adjusting screws in either direction. If, after one full turn, the belt does not track properly, contact Customer Support Services. The phone numbers are listed in Section 6.7, titled *How to Obtain Product Service*.



FITNESS NETWORKING

The two interchangeable networking ports (A) are located on the back of the display console. These openly accessible ports allow the treadmill to be connected to a fitness entertainment system and/or a fitness network, such as FitLinxx®.



- **Networking:** The built-in network ports allow the unit to exchange workout information with a fitness network database.
- **Fitness Entertainment:** The built-in network ports allow the treadmill to power a third-party receiver for use with an entertainment system, such as the Cardio Theater® system or BroadcastVision™.

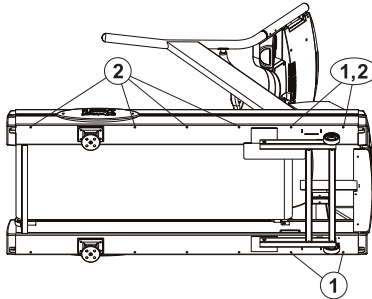
POWER CORD ROUTING

The power cord can be run straight from the treadmill, shortened and exited out the user-front left side, or run under the frame and exited out the user right-rear side of the treadmill.

For efficient cord management, the following routing options are recommended:

With the power cord unplugged, insert the clips in the appropriate holes. See the illustration below. Use Hole Pattern 1 or 2 to locate the clips and secure the power cord with the clips, taking up any slack between clips.

NOTE: It may be necessary to tip the treadmill to route the power cord properly.



To plug the power cord into an outlet in front of the treadmill, use Hole Pattern 1 for outlets located at the front of the machine.

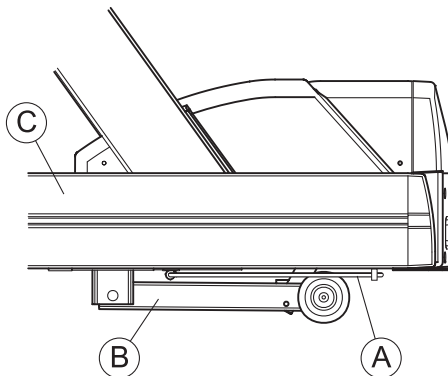
To plug the power cord into an outlet in rear of the treadmill, use Hole Pattern 2 for outlets located at the rear of the machine.

Make sure there is a 6-foot clearance behind the treadmill. Contact Life Fitness Customer Service for a longer power cord if necessary.



WARNING: Insure that the power cord (A) does not contact the striding belt or get pinched between the frame (C), lift arm (B) or the wheel; failure to follow this warning may result in serious injury.

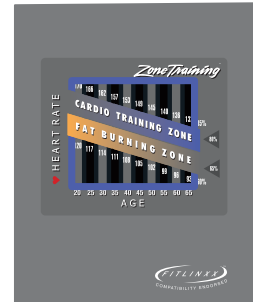
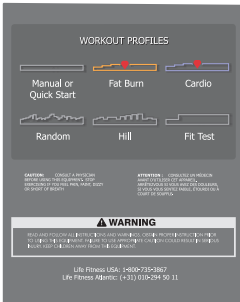
NOTE: When using Pattern 1 it is extremely important to route the power cord BETWEEN the lift frame and the main frame.



2 THE DISPLAY CONSOLE

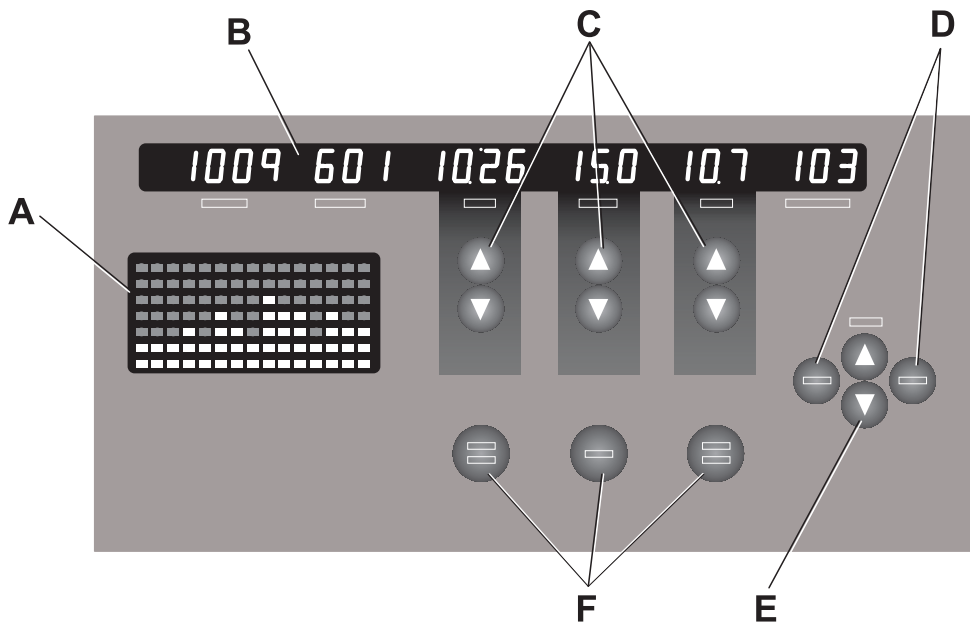
2.1 DISPLAY CONSOLE OVERVIEW

The computerized display console on the treadmill allows the user to tailor a workout to personal fitness abilities and goals and to monitor progress. With this easy-to-use console, the user can track fitness improvement from one workout to the next.



2.2 DISPLAY CONSOLE DESCRIPTIONS

- A **WORKOUT PROFILE WINDOW:** During a workout, interval hills and valleys appear in this window as rows of light stacked in columns. The number of lit rows within a column corresponds to an incline percentage.
- B **MESSAGE CENTER:** This window displays step-by-step instructions for setting up a workout. During a workout, it displays calories, distance, time, incline and speed. Additionally, the MESSAGE CENTER displays calories per hour, METS, Watts, pace in minutes per mile/kilometer, and distance climbed, if enabled to do so in the Manager's Configuration. See Section 5.1, titled *Entering and Using the Manager's Configuration*.
- C **TIME, INCLINE, and SPEED ARROW keys:** Press these keys to increase or decrease the workout time, the incline of the treadmill deck, or the striding belt speed.



D CLEAR key: Press this key once to clear data not yet entered. Press twice in succession, while programming, to reset the treadmill and restart the programming sequence.

ENTER key: Press this key to confirm entries of workout setup values, as displayed in the MESSAGE CENTER.

E WORKOUT SELECTION ARROW keys: When setting up a workout, use these keys to scroll through workout options as they appear in the MESSAGE CENTER. Also, use these keys set up workout or Manager's Configuration options.

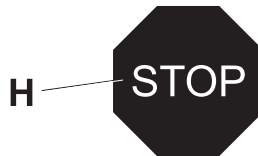
F QUICK START: Press this key to begin a manual workout immediately, without having to select a workout program. Once the workout is in progress, use the ARROW KEYS to change the intensity level or workout duration as desired.

COOL DOWN: Press this key to begin an automatically customized workout cool-down.

PAUSE: Press this key to stop the belt and hold the current workout. Continue the workout by pressing the ENTER key. The workout also resumes automatically when the maximum pause duration is reached.

The Life Fitness Treadmill is equipped with a manual emergency stop system. Use either of the two features described below to stop the treadmill immediately.

An octagon-shaped STOP button is located on a panel below the display console. A cord with a clothing clip is attached to this button. Before starting a workout, attach the clip to clothing. To stop the striding belt on the treadmill, pull the cord. Replace the key to reset the system.

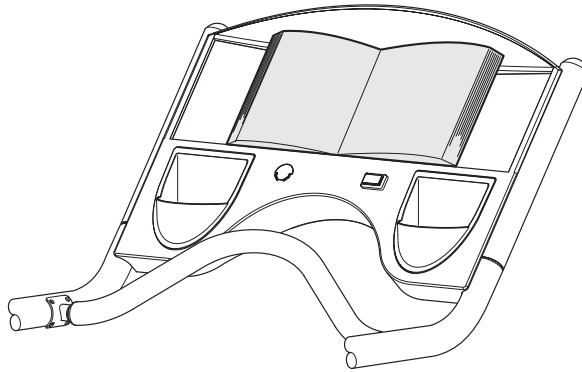


A rectangular STOP key is located on the panel as well. Press the key to stop the striding belt and end the current workout.



2.3 READING RACK

The display console design includes a built-in reading rack allowing a book or magazine to be supported during the workout.



2.4 ACCESSORY TRAYS

The accessory trays, located on either side of the display console, are removable. They should be cleaned periodically. See Chapter 6, titled *Service and Technical Data*, for details.

3 HEART RATE ZONE TRAINING® EXERCISE

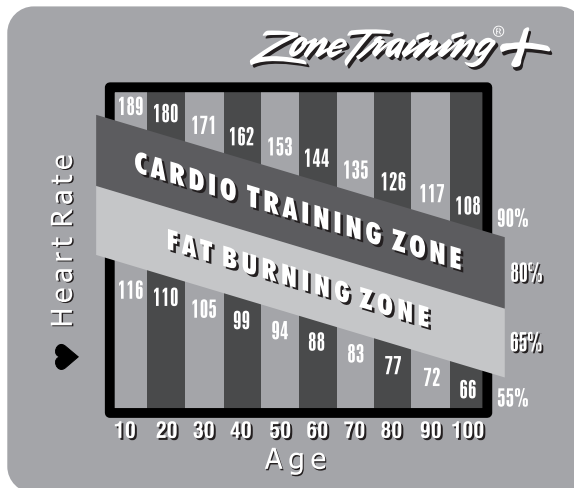
3.1 WHY HEART RATE ZONE TRAINING® EXERCISE?

Research shows that maintaining a specific heart rate while exercising is the optimal way to monitor the intensity of a workout and to achieve maximum results. That is the idea behind the Life Fitness Heart Rate Zone Training® approach to exercise.

Zone Training identifies an exerciser's ideal heart rate range, or zone, for burning fat or increasing cardiovascular fitness. The zone is a percentage of the theoretical maximum[†], and its value depends on the workout. The Life Fitness Treadmill features exclusive workouts designed to take full advantage of the benefits of Heart Rate Zone Training® exercise. **FAT BURN** targets a recommended heart rate that is 65 percent of the theoretical maximum[†], and **CARDIO** targets 80 percent.

NOTE: Consulting a fitness trainer is recommended for defining specific fitness goals and designing a workout program.

The Heart Rate Zone Training® workouts measure heart rate. Wear a telemetry chest strap to enable the treadmill's on-board computer to monitor the heart rate during a workout. The computer automatically adjusts the incline level to maintain the target heart rate based on the actual heart rate.



[†] Defined by the American College of Sports Medicine's "Guidelines for Exercise Testing and Prescription" as equal to 220 minus an individual's age.

3.2 HEART RATE MONITORING

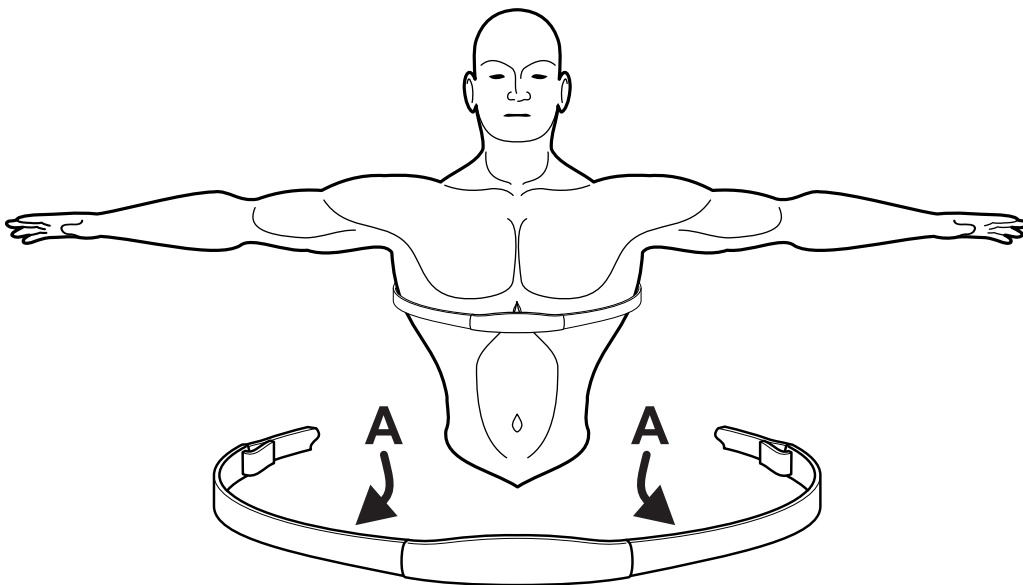
THE OPTIONAL HEART RATE CHEST STRAP

The Life Fitness Treadmill is equipped with Polar® telemetry, a heart rate monitoring system in which electrodes, pressed against the skin, transfer heart rate signals to the treadmill console. These electrodes are attached to a chest strap that the user wears during the workout. The chest strap is optional. To order it, call Life Fitness Customer Support Services at 1-800-351-3737.

See the diagram below for correct positioning of the strap. The electrodes (A), which are the two grooved surfaces on the underside of the strap, must remain wet to transmit accurately the electrical impulses of the heart back to the receiver. Moisten the electrodes. Then, secure the strap as high under the chest muscles as possible. The strap should be snug, but comfortable enough to allow for normal breathing.

The transmitter strap delivers an optimal heart rate reading when the electrodes are in direct contact with bare skin. However, it functions properly through a thin layer of wet clothing.

If it becomes necessary to re-moisten the chest strap electrodes, grasp the center of the strap, pull it away from the chest to expose the two electrodes, and re-moisten them.



4 THE WORKOUTS

4.1 WORKOUT OVERVIEWS

The following workouts are preprogrammed for the Life Fitness Treadmill.

QUICK START is the fastest way to begin exercising. After the QUICK START key is pressed, a MANUAL workout begins.

FAT BURN is a low-intensity workout for burning the body's fat reserves. The user wears a heart rate chest strap. The program adjusts the intensity level, based on the actual heart rate, to maintain the rate at 65 percent of the theoretical maximum[†].

CARDIO is a higher intensity workout for more fit users, emphasizing cardiovascular benefits and maximum fat burning. The user wears a heart rate chest strap. The program adjusts the intensity level, based on the actual heart rate, to maintain the rate at 80 percent of the theoretical maximum.

HILL is an interval training workout. Intervals are periods of intense aerobic exercise separated by regular periods of lower-intensity exercise.

RANDOM is an interval training workout of constantly changing intensity levels that occur in no regular pattern or progression.

MANUAL is a workout in which the intensity level does not change automatically.

FIT TEST is a five-minute workout with which the user can measure cardiovascular fitness compared to other people of the same age and gender.

[†] Defined by the American College of Sports Medicine's "Guidelines for Exercise Testing and Prescription" as equal to 220 minus an individual's age.

4.2 USING THE WORKOUTS

Select a workout OR log on to a fitness network exercise database. See Section 4.5, titled *Logging on to the Network* for details. The chart below lists the steps for setting up each workout.

To select a workout, use the WORKOUT SELECTION ARROW keys to scroll through workout options displayed in the MESSAGE CENTER. The treadmill's Hold-n-Scroll feature enables the user to scroll automatically through options simply by holding down an ARROW key, making it unnecessary to press the ARROW key repeatedly. Press the ENTER key to confirm a displayed selection. Then, enter data requested in MESSAGE CENTER prompts. Use the TIME, INCLINE, or SPEED ARROW keys to scroll to desired values as displayed in the MESSAGE CENTER, and press ENTER to confirm each selection. Values can be changed during all workouts, except for **FIT TEST**.

4.3 WORKOUT DESCRIPTIONS

QUICK START

QUICK START is the fastest way to begin exercising. After the QUICK START key is pressed, a MANUAL workout begins. The incline level is set to zero by default. Change the level using the INCLINE ARROW key, or change the speed using the SPEED ARROW keys, as desired.

LIFE FITNESS TREADMILL WORKOUT SETUP STEPS

QUICK START

Press QUICK START
Begin workout

RANDOM

Select RANDOM
Enter weight
Enter time
Enter level
Enter speed
Begin workout

FAT BURN**

Select FAT BURN
Enter weight
Enter time
Enter age
Enter THR*
Enter speed
Begin workout

CARDIO**

Select CARDIO
Enter weight
Enter time
Enter age
Enter THR*
Enter speed
Begin workout

MANUAL

Select MANUAL
Enter weight
Enter time
Enter incline
Enter speed
Begin workout

HILL

Select HILL
Enter weight
Enter time
Enter level
Enter speed
Begin workout

FIT TEST**

Select FIT TEST
Enter weight
Enter age
Enter gender
Enter speed
Begin workout

* Target Heart Rate (THR) is a percentage of the theoretical maximum. For example, a 40-year-old user's THR for the **CARDIO** workout is 144. The **CARDIO** workout targets 80 percent of the maximum, so the equation would be $(220-40) \cdot .80 = 144$.

** This workout requires the user to wear the telemetry chest strap.

FAT BURN

The **FAT BURN** workout is designed to maintain a user's heart rate at 65 percent of the theoretical maximum[†] for optimal results. Throughout the workout, the user wears a chest strap. The console continuously monitors and displays the heart rate, adjusting the intensity level of the treadmill to reach and maintain the target*. This system eliminates over- and under-training, and it maximizes the aerobic benefits of exercise by using the body's fat stores for fuel.

CARDIO

The **CARDIO** workout is virtually identical to **FAT BURN**; however, the target heart rate is calculated at 80 percent of the theoretical maximum. The higher target promotes cardiovascular improvement by placing a heavier workload on the heart muscle.

NOTE: *The user can change the target heart rate at any time during a FAT BURN or CARDIO workout by using the WORKOUT SELECTION ARROW keys.*

HILL

The Life Fitness-patented **HILL** workout offers a variety of configurations for interval training. Intervals are periods of intense cardiovascular exercise separated by regular periods of lower-intensity exercise. The WORKOUT PROFILE window represents these high and low intervals as columns of light, which together have the appearance of hills and valleys.

The computerized interval training workout has been scientifically demonstrated to promote greater cardio-respiratory improvement than steady-pace training.

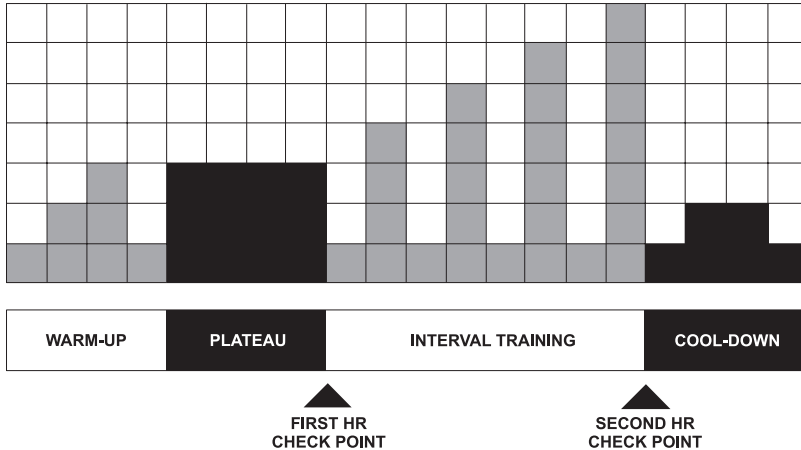
The **HILL** workout goes through four phases, each marked by different intensity levels. The WORKOUT PROFILE window displays the progress of these phases, as seen in the chart following these descriptions below. As noted in the descriptions, the heart rate should be measured at two stages in the workout to gauge its effectiveness. To do so, wear the chest strap. Note that the MESSAGE CENTER does not display a request for a heart rate measurement, as it does with the **CARDIO** and **FAT BURN**.

- 1 **Warm-up** is a phase of low, gradually rising resistance, which brings the heart rate into the lower end of the target zone and increases respiration and blood flow to working muscles.
- 2 **Plateau** increases the intensity slightly, and keeps it steady, to bring the heart rate to the low end of the target zone. Check the heart rate at the end of this phase.
- 3 **Interval Training** is a series of increasingly steeper hills, alternating with valleys, or stints of recovery. The heart rate should rise to the high end of the target zone. Check the heart rate at the end of this phase.
- 4 **Cool-down** is a low-intensity phase that allows the body to begin removing lactic acid, and other exercise by-products, which build up in muscles and contribute to soreness.

[†] *Defined by the American College of Sports Medicine's "Guidelines for Exercise Testing and Prescription" as equal to 220 minus an individual's age.*

* *Target Heart Rate (THR) is a percentage of the theoretical maximum. For example, a 40-year-old user's recommended THR for the FAT BURN workout is 117. The FAT BURN workout targets 65 percent of the maximum, so the equation would be (220-40)*.65=117.*

TERRAIN (HILLS AND VALLEYS)



Each column, as seen in the WORKOUT PROFILE WINDOW and the chart above, represents one interval. The overall duration of the workout determines the length of each interval. Each workout is made up of 20 intervals, so the duration of each interval is equal to the duration of the entire workout divided by 20.

1 to 9 minutes: A workout with a duration of less than 10 minutes is insufficient for the **HILL** program to complete all four phases adequately. The program, therefore, condenses a workout of this duration at various stages.

10 to 19 minutes: The interval durations initially are set at 30 seconds for a 10-minute workout. For every minute over 10, each interval increases by three seconds. A 15-minute workout consists of 20 intervals at 45 seconds each.

20 to 99 minutes: All intervals last 60 seconds. If the user adds minutes to the pre-set duration while the workout is in progress, the program adds hills and valleys that are identical to the first eight intervals of the Interval Training phase. This pattern repeats until the workout is completed.

RANDOM

The **RANDOM** program creates a terrain of hills and valleys that varies with each workout. More than one million different patterns are possible.

MANUAL

The **MANUAL** program sets an intensity level that does not change automatically. While the workout is in progress, increase or lower the intensity level as desired, using the **SPEED** and/or **INCLINE ARROW** keys.

FIT TEST

The **FIT TEST** workout measures cardiovascular fitness and can be used to monitor improvements in endurance every four to six weeks. The user must wear the heart rate chest strap, as the test score calculation is based on a heart rate reading. The five-minute workout begins with a 60-second warm-up, followed by four minutes of constant effort. Immediately afterward, the console takes the user's heart rate reading, calculates a fitness score, and displays the score in the MESSAGE CENTER.

The **FIT TEST** is considered to be a submax VO₂ (volume of oxygen) test*. It gauges how well the heart supplies oxygenated blood to the exercising muscles, and how efficiently those muscles receive oxygen from the blood. Physicians and exercise physiologists generally regard this test as a good measure of aerobic capacity. Please note that the estimated VO₂ max scores achieved will be 10 percent to 15 percent higher on other Life Fitness cardiovascular equipment than those achieved on a stationary cycle. Stationary cycling has a higher rate of isolated muscle fatigue of the quadriceps when compared to walking/running on the treadmill or climbing on the treadmill. This higher rate of fatigue corresponds to lower levels of estimated VO₂ max scores.

The rate of pedaling or stepping is often difficult to control. Treadmill speed and incline, however, can be regulated precisely. Unlike cycling or stepping, walking is a natural, habitual activity. Most people become accustomed to walking on a treadmill within two minutes.

NOTE: *If the FIT TEST heart rate is lower than 60 percent of the theoretical maximum† heart rate, the user will be instructed to perform the FIT TEST again at a faster belt speed.*

To set up the test, use the WORKOUT SELECTION ARROW keys to scroll through workout options displayed in the MESSAGE CENTER. Press ENTER to select FIT TEST when it appears. At the MESSAGE CENTER prompts, enter the weight, age, gender, and desired speed, using the ARROW keys. Press ENTER after each entry. Then, begin the workout. To ensure an accurate test score, do not change entries once the workout begins.

This table lists general fitness level categories.

BEGINNER	2.0 MPH / 3.2 KPH
INTERMEDIATE	3.0, 4.0 MPH / 4.8, 6.4 KPH
ADVANCED	4.5 MPH / 7.2 KPH

The treadmill does not accept:

- heart rates less than 52 or greater than 200 beats per minute
- body weights less than 75 pounds (34 kg) or greater than 350 pounds (160 kg)
- ages below 10 or over 99 years
- data input that exceeds human potential

To correct errors when entering **FIT TEST** data, pressing CLEAR / PAUSE, input the correct information, and press ENTER.

† *Defined by the American College of Sports Medicine's "Guidelines for Exercise Testing and Prescription" as equal to 220 minus an individual's age.*

* *The FITNESS TEST design is based on a published study: Ebbeling, Cara B.; Puleo, Elaine M.; Ward, Ann; Widrick, Jeffrey, and Rippe, James M. "Development of a Single Stage Submaximal Treadmill Walking Test." University of Massachusetts Medical Center, 1991*

It is important to take the **FIT TEST** under similar circumstances each time. A heart rate is affected by many factors, including:

- amount of sleep the previous night; at least seven hours is recommended
- time of day
- time since last meal; two to four hours after the last meal is recommended
- time since last drinking a liquid containing caffeine or alcohol, or smoking a cigarette; at least four hours is recommended (*Life Fitness does not recommend or condone use of alcohol or tobacco products*).
- time since last exercise; at least six hours is recommended

For the most accurate results, perform the **FIT TEST** on three consecutive days, and average the three scores.

NOTE: To receive a proper Fit Test score, the work done must be within a training heart rate zone that is 60 percent to 85 percent of the theoretical maximum heart rate. This rate is defined by the American College of Sports Medicine's "Guidelines for Exercise Testing and Prescription" as equal to 220 minus an individual's age.

The tables below list **FIT TEST** scores.

RELATIVE FITNESS CLASSIFICATION FOR MEN

RATING	AGE				
	10 - 29	30 - 39	40 - 49	50 - 59	60+
Elite	61+	57+	55+	53+	50+
Excellent	55 - 60	52 - 56	50 - 54	47 - 52	44 - 49
Good	50 - 54	46 - 51	44 - 49	42 - 46	39 - 43
Above Average	44 - 49	41 - 45	39 - 43	36 - 41	33 - 38
Average	40 - 43	36 - 40	34 - 38	32 - 35	29 - 32
Below Average	34 - 39	31 - 35	29 - 33	26 - 31	23 - 28
Poor	29 - 33	25 - 30	22 - 28	20 - 25	18 - 22
Very Poor	<29	<25	<22	<20	<18

RELATIVE FITNESS CLASSIFICATION FOR WOMEN

RATING	AGE				
	10 - 29	30 - 39	40 - 49	50 - 59	60+
Elite	54+	51+	48+	46+	44+
Excellent	48 - 53	45 - 50	43 - 47	41 - 45	39 - 43
Good	43 - 47	40 - 44	37 - 42	35 - 40	33 - 38
Above Average	37 - 42	34 - 39	32 - 36	30 - 34	28 - 32
Average	33 - 36	30 - 33	28 - 31	25 - 29	23 - 27
Below Average	28 - 32	24 - 29	22 - 27	20 - 24	18 - 22
Poor	22 - 27	19 - 23	17 - 21	14 - 19	12 - 17
Very Poor	<22	<19	<17	<14	<12

4.4 MAXIMIZING WORKOUTS ON A LIFE FITNESS TREADMILL

SELECTING AN INTENSITY LEVEL

The steps for setting up a **HILL** or **RANDOM** workout include selecting a level. The word “level” refers to a range of incline percentages. The treadmill features 20 levels, with Level 1 having the lowest average incline grade and Level 20 having the highest.

LEVEL	% Incline	LEVEL	% Incline
1	0.0 - 1.5	11	2.0 - 8.5
2	0.0 - 2.2	12	3.0 - 9.2
3	0.0 - 2.9	13	3.5 - 9.9
4	0.0 - 3.6	14	5.0 - 10.6
5	0.0 - 4.3	15	5.5 - 11.3
6	0.0 - 5.0	16	6.5 - 12.0
7	0.0 - 5.7	17	7.0 - 12.7
8	0.0 - 6.4	18	8.0 - 13.4
9	0.5 - 7.1	19	8.7 - 14.1
10	1.5 - 7.8	20	9.0 - 15.0

Within each level are seven incline percentages, or hills. During a workout, each hill appears in the **WORKOUT PROFILE** window as rows of light stacked in a column. The number of lit rows within a column corresponds to an incline percentage. For example, in Level 5, the lowest incline is 0.0 percent and is represented as one lit row. The highest incline, 4.3 percent, is represented by a column with all seven rows lit.

In the **HILL** and **RANDOM** workouts, these varying hills occur for equal durations, as discussed in the HILL workout description. It is possible to change the incline percentage manually, but the change remains in effect only for the duration of the hill in question. When the workout program brings up a new hill, the incline percentage changes automatically to match that hill.

To change levels during a workout, use any of the ARROW keys.

USING INSTAPACE™ FEEDBACK

The InstaPace™ Feedback feature enables users to monitor their pace, or rate of minutes per mile, while running on the treadmill. This feature must be enabled in the Manager's Configuration. See Section 5, titled *The Manager's Configuration*, for more information. Also, the treadmill speed must be at least 4.5 MPH. When the user adjusts the treadmill speed, using the SPEED ARROW KEYS, the MESSAGE CENTER displays the MPH and pace simultaneously.

USING ZEROOUT™ SPEED CONTROL

If, during a workout, a user decreases the speed to the minimum and continues to hold the DECREASE SPEED ARROW, the speed falls to 0 MPH, which is pause mode. The minimum speed is 0.5 MPH, unless changed in the Manager's Configuration. See section 5.2, titled *Configuration Settings*, for more information.

COOL-DOWN

Life Fitness' unique Cool-Down Protocol automatically customizes every cool-down based on each user's workout performance. Workout performance factors, such as speed, incline, duration, and heart rate, determine the duration and intensity of the cool-down.

4.5 LOGGING ON TO THE NETWORK

When the treadmill is connected to a network, the MESSAGE CENTER displays a prompt to log on with a personal ID number. Press ENTER. Then, for each digit of the ID number, use the ARROW keys to scroll through the displayed numerals, and press ENTER when the correct numeral appears. Repeat this steps for each digit.

5 THE MANAGER'S CONFIGURATION

5.1 ENTERING AND USING THE MANAGER'S CONFIGURATION

To enter the Manager's Configuration, press and hold down the PAUSE key and press the CLEAR key twice. Continue to hold down the PAUSE key until the MESSAGE CENTER displays the words SERVICE MENU. Then, release the PAUSE key, press the QUICK START key, and press ENTER. The MESSAGE CENTER then displays, in turn, each of the configuration settings.

Use the TIME arrow keys to scroll through the list of settings, or allow the MESSAGE CENTER to scroll automatically through the options. To stop the automatic scrolling, press the PAUSE key. To resume the automatic scrolling, press the PAUSE key again. To select a displayed option, press the ENTER key.

The Manager's Configuration settings are listed on the following page in the order in which they appear in the MESSAGE CENTER display. Use the INCLINE or SPEED keys to change settings. In most cases, changing a setting means turning it on or off. See the table on the following page for more information.

5.2 CONFIGURATION SETTINGS

CONFIGURATION SETTING	FACTORY DEFAULT	DESCRIPTION
LANGUAGE	ENGLISH	The language of the MESSAGE CENTER display. Choices include Portuguese, Spanish, Dutch, Japanese, Italian, French, and German.
MAXTIME™ SETUP	OFF	This feature enables fitness club managers to set workout duration limits during peak and non-peak hours of club traffic. If the setup is off, no duration limits are set. See the topic titled <i>Using the Maximum Time Setup</i> , which appears on the following page.
STANDBY MODE SETUP	OFF	This feature enables fitness club managers to set periods at which the treadmill automatically powers up or powers down. See the topic titled <i>Using the Standby Mode Setup</i> , which appears on the following page.
ENGLISH/METRIC UNITS	ENGLISH	The measurement unit type for weight, distance, and speed.
TELEMETRY	ON	Switching on the telemetry feature makes it possible to use the Polar®-compatible Heart Rate Zone Training® exercise chest strap for monitoring the heart rate.
SMART STOP	OFF	This feature is not available on this model.
MAXIMUM SPEED	10.0 (MPH)	This is the fastest speed at which the treadmill can run.
MINIMUM SPEED	0.5 (MPH)	This is the slowest speed at which the treadmill can run.
PAUSE TIMEOUT	1 (minute)	This is the maximum time during which a workout can remain in pause mode.
WATTS DISPLAY	OFF (Int'l: ON)	If this option is enabled, the MESSAGE CENTER displays the Watts equivalent of the step rate.
METS DISPLAY	OFF	If this option is enabled, the MESSAGE CENTER displays the METs equivalent of the step rate.
PACE DISPLAY	ON	This feature displays the rate of minutes per mile.
CALORIE PER HOUR DISPLAY	ON (Int'l: OFF)	If this option is enabled, the MESSAGE CENTER displays the number of calories burned per hour during the workout.
DISTANCE CLIMBED DISPLAY	OFF	The total distance climbed, based on the incline and speed of the treadmill.
WAX REMINDER	OFF	After the first 100 hours, then every 168 hours, the MESSAGE CENTER displays, "MAINTENANCE REMINDER - CLEAN THE NOZZLE."
ACCELERATION RATE	3	The rate at which the treadmill speeds up to the selected speed, ranging from 1 (slowest) to 5 (fastest).
DECELERATION RATE	3	The rate at which the treadmill speeds up to the selected speed, ranging from 1 (slowest) to 5 (fastest).
MAXIMUM INCLINE	15.0	This option changes the maximum incline grade to a value lower than 15 percent.

USING THE MAXTIME™ SETUP

After entering the Manager's Configuration, select the MAXTIME SETUP option. The MESSAGE CENTER displays the statement "MAXTIME CONTROL OFF" and then displays a maximum workout duration value. The default value is 60 minutes, and it can be changed with the INCLINE or SPEED ARROW keys. This value is always in effect unless the MaxTime™ control feature is turned on.

To turn the feature on, use the INCLINE or SPEED ARROW keys, and switch the setting to MAXTIME CONTROL ON. Then, press ENTER.

The MESSAGE CENTER displays a "peak duration" value, which is the maximum possible workout duration, in minutes, during high-traffic hour for fitness clubs. Use the ARROW keys to increase or decrease the displayed value, and press ENTER. The MESSAGE CENTER then displays a "non-peak duration" value, which is the maximum possible workout duration all other times. Use the ARROW keys to increase or decrease the displayed value, and press ENTER.

The MESSAGE CENTER then displays a PEAK 1 time period in hours and minutes. This is the period during which the peak workout duration value is in force. Use the TIME ARROW keys to change the hours, and use the INCLINE ARROW keys to change the minutes. Press ENTER. The MESSAGE CENTER then displays the PEAK 1 duration value, which is the amount of time in minutes that the peak period remains in force. Using the ARROW keys, change the value, and press ENTER.

The MESSAGE CENTER then displays a PEAK 2 time period. Repeat the steps described in the preceding paragraph to set up a second peak time.

USING THE STANDBY SETUP

Select the STANDBY SETUP option. The MESSAGE CENTER displays the statement, STANDBY DISABLED. Using the ARROW keys, switch the setting to ENABLED. The MESSAGE CENTER displays an auto off value, which is the time of day, in hours and minutes, at which the treadmill automatically switches off. Use the TIME ARROW key to change to change the hours, and use the INCLINE ARROW key to change the minutes. Press Enter. The MESSAGE CENTER displays an AUTO ON value, which is the time of day, in hours and minutes, at which the treadmill automatically switches on.

6 SERVICE AND TECHNICAL DATA

6.1 PREVENTATIVE MAINTENANCE TIPS

The Life Fitness treadmill is backed by the engineering excellence and reliability of Life Fitness and is one of the most rugged and trouble-free pieces of exercise equipment on the market today. Commercial Life Fitness treadmills are among the most popular of aerobic trainers, regularly standing up to marathon use - 18 hours a day, seven days a week - in health clubs, colleges and military facilities the world over.

NOTE: *Safety of the equipment can be maintained only if the equipment is examined regularly for damage or wear. Keep the equipment out of use until defective parts are repaired or replaced. Pay special attention to parts that are subject to wear, as outlined below.*

The following preventive maintenance tips will keep the Life Fitness treadmill operating at peak performance:

- Clean the display console and all exterior surfaces regularly with mild soap and water or a mild household cleaner. DO NOT use paper towels, ammonia or acid based cleaners.*
- Check operation of the tethered stop key once a week.
- Check the operation of the stop key once a week.
- Inspect and vacuum the area under unit regularly.
- Vacuum around the striding belt regularly to keep debris from accumulating.
- Inspect exterior parts regularly for wear, particularly the striding belt and deck.
- Check the position (centering) of the striding belt.

The optimum operating position of the striding belt is from 1.5 inches (38 mm) to 2.0 inches (51 mm) from either side of the frame. If the striding belt travels beyond this position, see section 6.5, titled *How to Adjust and Tension the Striding Belt*, or contact Life Fitness Customer Support Services, for proper alignment instructions, 1-800-351-3737 (USA).

***NOTE:** *When cleaning the exterior of the unit, a non-abrasive cleaner and soft cotton cloth are strongly recommended. At no time should cleaner be applied directly to any part of the equipment; use non-abrasive cleaner on a soft cloth and then wipe the unit.*

6.2 PREVENTATIVE MAINTENANCE SCHEDULE

Follow the schedule below to ensure proper operation of the product.

<i>ITEM</i>	<i>WEEKLY</i>	<i>MONTHLY</i>	<i>BI-ANNUALLY</i>	<i>ANNUALLY</i>
<i>Anti-Static Cords</i>		<i>I</i>		<i>R</i>
<i>Console Mounting Bolts</i>			<i>I</i>	
<i>Frame</i>	<i>C</i>			<i>I</i>
<i>Striding Belt (Top)</i>	<i>C</i>		<i>I</i>	
<i>Deck</i>	<i>C (vacuum)</i>		<i>I</i>	
<i>Power Cord</i>	<i>I</i>			
<i>Display Console</i>	<i>C</i>	<i>I</i>		
<i>Accessory trays</i>	<i>C</i>	<i>I</i>		
<i>Handlebar</i>	<i>C</i>		<i>I</i>	
<i>Handrail Bolts</i>			<i>I</i>	
<i>Handlebar Bolts</i>			<i>I</i>	
<i>Front Roller</i>			<i>I</i>	
<i>Rear Roller</i>			<i>I</i>	
<i>Stop Key</i>	<i>I</i>			
<i>Rear Roller Guard</i>		<i>C and I</i>		
<i>Drive Motor Belt</i>			<i>I</i>	
<i>Wax Container</i>		<i>I</i>		
<i>Wax System Connections</i>		<i>I</i>		
<i>Wax Nozzle</i>		<i>C and I (every three weeks or 168 hours of operation)</i>		
<i>Wax Refill</i>				<i>R</i>

KEY: C=Clean; I=Inspect; R=Replace

6.3 TROUBLESHOOTING THE OPTIONAL HEART RATE CHEST STRAP

HEART RATE READING IS ERRATIC OR ABSENT ENTIRELY

- Repeat the electrode wetting procedure. See Section 3.2, titled *How to Use the Optional Heart Rate Monitor Chest Strap*. The electrodes must be wet to pick up and transmit accurate heart rate readings.
- Make sure the electrodes are flat against the skin.
- Wash the belt transmitter regularly with mild soap and water.
- Make sure the chest strap transmitter is within three feet (one meter) of the heart rate receiver.
- The chest strap is battery operated and will eventually stop functioning. If the chest strap transmitter battery is depleted, contact Life Fitness Customer Support Services at 1-800-351-3737 for instructions on how to have the chest strap replaced.

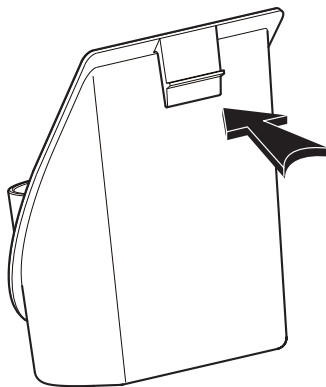
HEART RATE READING IS ERRATIC OR EXTREMELY HIGH (ABOVE 200)

When exercising with the optional heart rate chest strap, the user may come within range of electromagnetic signals strong enough to cause abnormally elevated heart rate readings. Possible sources of such signals include

- Television sets and/or antennas, cell phones, computers, cars, high voltage power lines and motor driven exercise equipment.
- Another heart rate transmitter within three feet (one meter) may also cause abnormal heart rate readings.

6.4 REMOVING THE ACCESSORY TRAYS

The accessory trays should be removed and cleaned periodically. See section 6.2, titled *Preventive Maintenance Schedule*. To remove a tray, press inward the clip at the rear of the tray, and pull the tray out. To reinsert the tray, line up the notch in front with small slit and snap the top edge back into locked position.



6.5 HOW TO ADJUST AND TENSION THE STRIDING BELT

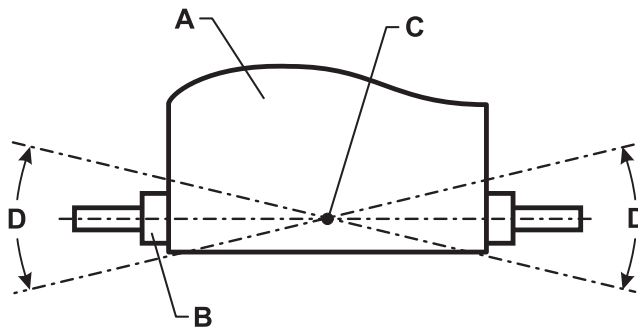
Do not move treadmill or place hands under treadmill while it is plugged into an electrical outlet!

THE BELT TENSIONING BOLTS

A 5/16-inch hex key wrench is required for this task. The Life Fitness Treadmill has access holes in the rear roller guards which allow access to the tensioning bolts. These tensioning bolts make it possible to adjust the tracking and centering of the striding belt (A) without removing the guards.

NOTE: It is extremely important that the treadmill be correctly leveled prior to any tracking adjustments. An unstable unit may cause striding belt misalignment. See the topic titled "How To Stabilize the Life Fitness Treadmill" in the Section 1.2, titled Set Up, prior to attempting any rear roller adjustments.

Before proceeding, it is helpful to visualize the REAR ROLLER (B) pivot point (C). Each adjustment made to one side of the ROLLER must be met with an equal and opposite adjustment (D) to the other side of the ROLLER to maintain an ideal belt tension at the pivot point.



TRACKING (CENTERING) A STRIDING BELT

Two people are needed to perform this procedure.

- 1 Locate the two access holes to the belt tensioning bolts on each of the rear roller guards.
- 2 One person stands on the side rails of the treadmill and straddles the belt. This person presses the MANUAL workout and sets the belt speed to 4.0 MPH (6.4 KPH).
- 3 If the striding belt has moved to the right, the second person turns the right tension bolt a quarter-turn clockwise and then turns the left tension bolt a quarter-turn counter-clockwise to make the striding belt track back to the center of the roller.

If the striding belt has moved to the left, turn the left tension bolt a quarter-turn clockwise and then turn the right tension bolt a quarter-turn counter-clockwise to make the striding belt track back to the center of the roller.

- 4 Repeat the adjustments until the striding belt appears centered. Allow the machine to continue running for several minutes to observe if tracking remains stabilized.

NOTE: Do not exceed one full turn of the adjusting screws in either direction. If after one full turn the belt does not track properly, contact Customer Support Services. The phone numbers are listed in Section 6.7, titled How to Obtain Product Service.

TENSIONING AN EXISTING STRIDING BELT

1 Enter the Manual workout and run the treadmill for five minutes at 5.0 MPH (8.0 KPH).

NOTE: DO NOT RUN ON BELT.

2 Reduce the speed to 2.0 MPH (3.2 KPH). Walk on the treadmill. Tightly grip the handrails and attempt to stall the striding belt. If the belt slips, continue to Step 3. If it does not slip, the tension is correct.

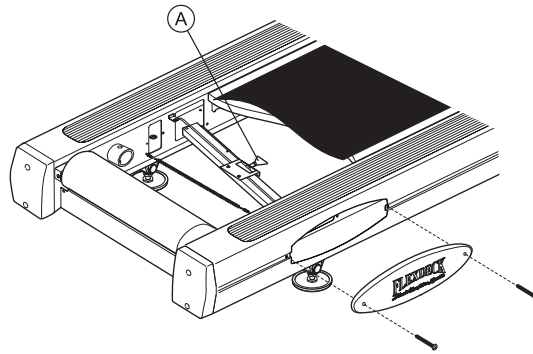
3 Using the STOP key, stop the treadmill. Turn the belt tensioning bolts a quarter-turn clockwise for each side. Do not exceed one full turn (four quarter turns) per side.

4 Enter the MANUAL workout and run the treadmill at 2.0 MPH (3.2 KPH) check to insure proper tracking. If the striding belt drifts to the left or right see the topic titled *Tracking (Centering) an Existing or New Striding Belt* on the previous page.

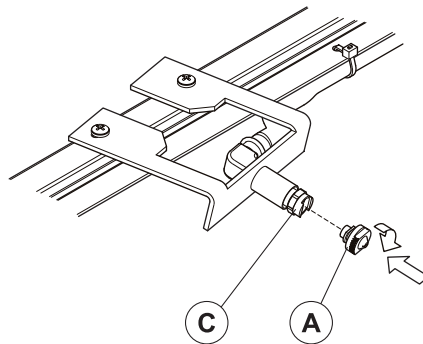
Do not over-tighten the tensioning bolts while making belt adjustments. Over-tightening of bolts may over stretch and damage the striding belt or roller bearings. Do not exceed one full turn of either bolt in either direction.

6.6 CLEANING THE WAX NOZZLE

The MESSAGE CENTER periodically displays a wax reminder message, if the use of WAX REMINDER setting is enabled in the MANAGER'S CONFIGURATION. When this message appears, take the following steps:



- A. Remove panel on right side to access nozzle (A).
- B. Make sure that the unit is off, and the electrical plug has been removed from the wall.
- C. Using a Phillips head screwdriver remove the two screws holding the right access panel in place.
- D. Carefully reach inside and while gently pushing the nozzle (A) into its brass holder body (C), rotate the nozzle one-quarter turn clockwise. Make note of the orientation of the two flat surfaces on the top and bottom of the nozzle. When the nozzle is replaced after cleaning, the flats must be on the top and bottom for nozzle to be correctly replaced.



- D. Place the nozzle in a container of hot water and let it sit for 10 minutes. Afterward, carefully remove the nozzle.



CAUTION: If necessary, scrub with a medium soft bristle brush until there is no further wax visible on the outside or inside of the nozzle.

- E. Dry the nozzle with a lint-free towel and re-insert with a quarter-turn counterclockwise.

6.7 HOW TO OBTAIN PRODUCT SERVICE

1. Verify the symptom and review the operating instructions. The problem may be unfamiliarity with the product and its features and workouts.
2. Locate and write down the serial number of the unit, which is located on a plate near the power switch.
3. Contact the nearest Life Fitness Customer Support Services group:

For Product Service within
the United States and Canada:

Telephone: (+1) 847.451.0036
FAX: (+1) 847.288.3702
Toll-free telephone: 800.351.3737

For Product Service Internationally:

Life Fitness Europe GmbH
Telephone: (+49) 089.317.751.66
FAX: (+49) 089.317.751.38

Life Fitness (UK) LTD
Telephone: (+44) 1353.665.507
FAX: (+44) 1353.666.018

Life Fitness Atlantic BV
Life Fitness Benelux
Telephone: (+31) 180.646.666
FAX: (+31) 180.646.699

Life Fitness Italia S.R.L.
Telephone: 800.438.836
FAX: (+39) 0472.833.150

Life Fitness Austria Vertriebs GmbH
Telephone: (+43) 1615.7198
FAX: (+43) 1615.7198.20

Life Fitness Asia Pacific Ltd
Telephone: (+852) 2891.6677
FAX: (+852) 2575.6001

*Life Fitness Latin America
and Caribbean*
Telephone: (+1) 847.288.3964
FAX: (+1) 847 288.3886

Life Fitness do Brazil
Telephone (+55) 11.4193.8282
FAX: (+55) 11.4193.8283

Life Fitness Japan
Telephone: (+81) 3.3359.4309
FAX: (+81) 3.3359.4307

Life Fitness Iberia
Telephone : (+34) 93.672.4660
FAX : (+34) 93.672.4670

7 SPECIFICATIONS

7.1 LIFE FITNESS 9100 TREADMILL SPECIFICATIONS

Designed use:	Heavy/Commercial
Maximum user weight:	350 pounds / 160 kilograms
Speed range:	0.5 - 10.0 MPH (0.8 - 20 KPH) in 0.1 increments
Elevation range:	0%-15% (in 0.5% increments)
Drive train:	Direct-drive AC motor with MagnaDrive™ motor controller
Motor type:	Variable Speed AC
Motor size:	4.0 HP continuous duty
Power requirements:	120 volt, 20 amp (U.S.). See Electrical Requirements for requirements outside the United States.
Rollers:	3.5 inch / 9 centimeter diameter, precision-crowned, front and back
Striding Belt:	60" Length x 20" Width (152 cm Length x 51 cm Width), multi-ply
Waxing system:	Patented automatic wax lubrication system
Deck type:	Patented FlexDeck® Shock Absorption System 3/4" medium density reversible fiberboard
Side handrails:	22" (56 cm) long, cantilevered
Stop systems:	Red button, raised and prominently positioned, and magnetic lanyard emergency stop system
Workouts:	Fat Burn, Cardio, Hill, Random, Manual and Fit Test
Levels:	20 (Hill and Random workouts)
Heart rate monitoring system:	Polar® telemetry compatible heart rate monitoring systems
Console displays:	Elapsed time, total distance, total calories burned, Watts, METS, calories burned per hour, speed, incline, heart rate, pace, distance climbed
Ports (2):	Type RJ45, interchangeable Network connection and Fitness Entertainment port (power supply)

PHYSICAL DIMENSIONS:

Length:	83 inches / 211 centimeters
Width:	37 inches / 94 centimeters
Height:	62 inches / 158 centimeters
Weight:	400 pounds / 182 kilograms

SHIPPING DIMENSIONS:

Length:	87 inches / 221 centimeters
Width:	44 inches / 112 centimeters
Height:	24.5 inches / 62 centimeters
Weight:	460 pounds / 210 kilogram

LifeFitness

10601 W. Belmont Ave
Franklin Park, IL 60131